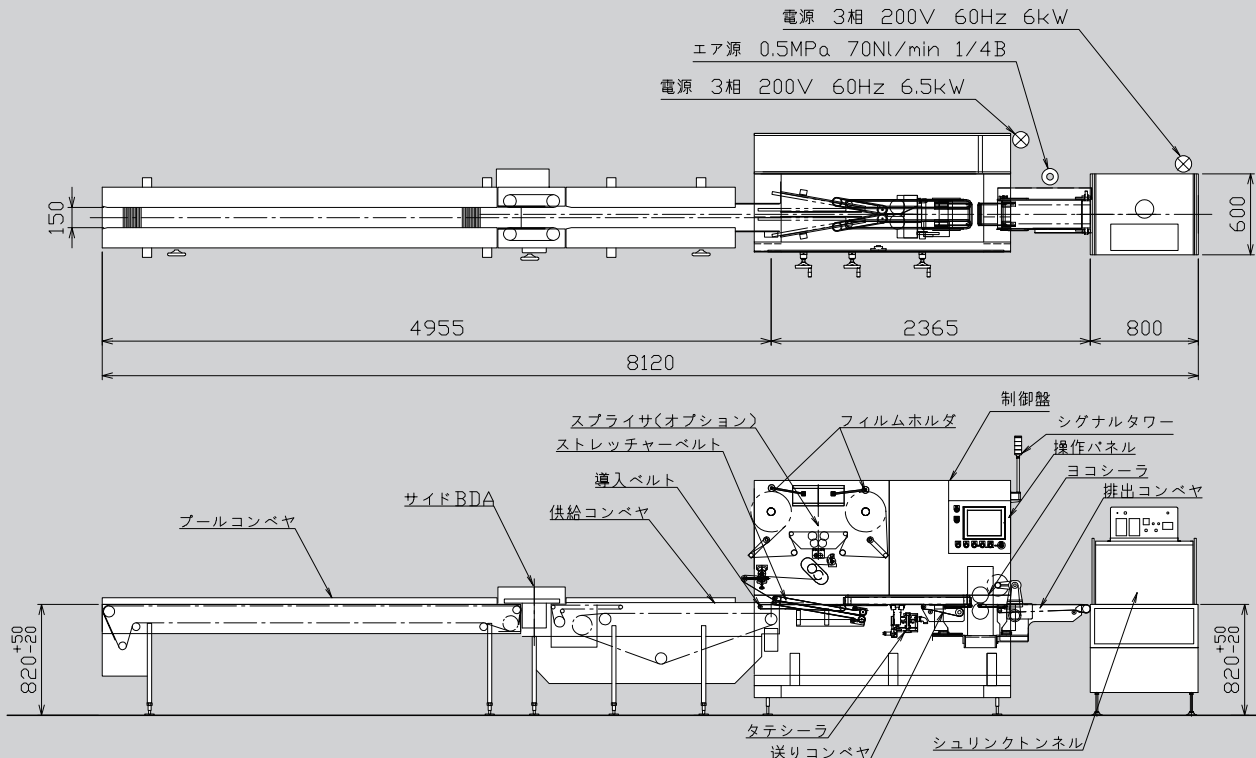


NE07-STR


※Specifications could be changed without notice.

【NE07-STR Feature】

- NE07-STR is a stretch pillow shrink wrapper and uses stainless and aluminum for body frame and main component for water washing.
- Updating electric devices enables program change by remote control and error history data output to USB stick.
- Improvement of handling thin film and printed film by an additional servo motor installed to film drive part.

【NE07-STR Feature】

Products	Frozen food
Wrapping speed	Maximum : 120ppm(depends on the conditions of films)
Power resource	3 phases 200V 12.0kw

For wrapping frozen foods.


【Optional Items】
■Autfeeder

BDA, Star Wheel Autfeeder or Timing screw Divider are applicable.

■Automatic film splicer

To glue the film and takes over the next film by detecting the end of film roll automatically.

Heat seal type : heat cut films by automatically.

■Extendable Conveyor

Tubing Conveyor and Discharge Conveyor slide together for products to be conveyed stably.

■Printer

By choosing Inkjet, thermal or hot-roll printer depending on use, to print such as "manufacture date" or "best-before date". With printing inspection device, ink squeezeout and miss printing could be detected.

■Web Controller

For stable longseal, detecting I-mark and minimizing web position errors. With automatic film splicer, productivity improves.

